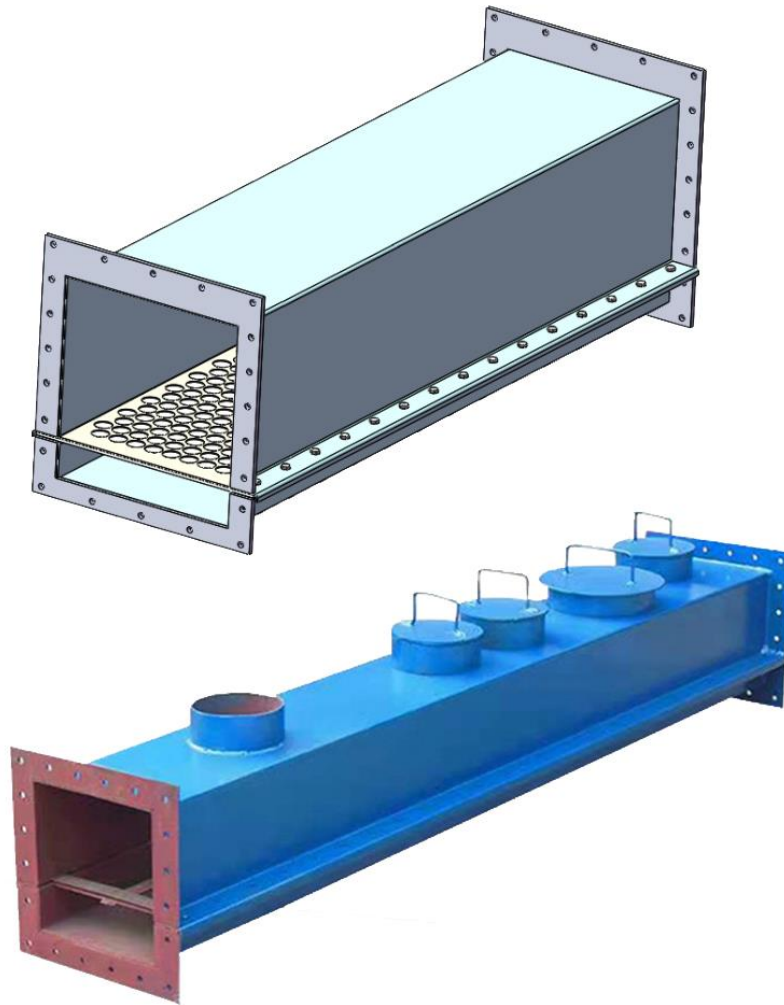


Air Conveying Chute – Full Process Solution Provider



Model and Feature							
Model	Model	Model	200	250	315	400	500
Inside width	Inside width	Material	200	250	315	400	500
Capacity t/h	8°	Cement	22	40	70	130	220
Capacity t/h	8°	Others	16	30	55	100	165
Capacity t/h	10°	Cement	40	65	120	250	400
Capacity t/h	10°	Others	30	55	90	185	300
Wind pressure KPa			2-3	2-3	2-3	2-3	2-3
Wind capacity m ³ / m ² .min			1.5-2	1.5-2	1.5-2	1.5-2	1.5-2

