



SHANDONG CAD

SDCAD

INDUSTRY MACHINERY EQUIPMENT CO. LTD

Full Process Solution Provider

Bulk Bag Unloader With Lifting



Bulk Bag Unloader With Lifting Accessories

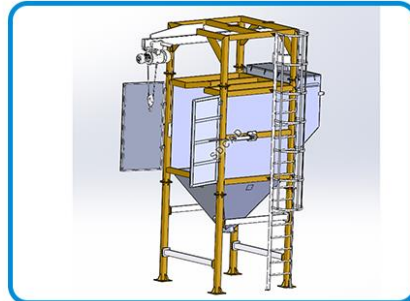


SHANDONG CAD INDUSTRY MACHINERY EQUIPMENT CO. LTD

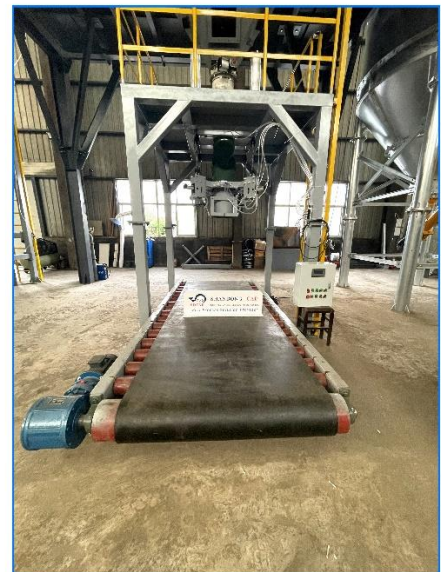
Tel: 0086 0538 8281591 Phone: 0086 150 6674 2604 admin@sdcati.com www.sdcati.com

Bulk Bag Unloader With Lifting

Save time, money, and space. Dust-free unloading and dispensing with unlimited configurations
- Customization Advantage from SDCAD



Product details



SHANDONG CAD INDUSTRY MACHINERY EQUIPMENT CO. LTD

Tel: 0086 0538 8281591 Phone: 0086 150 6674 2604 admin@sdcati.com www.sdcati.com



CE Certificate

MACHINERY DIRECTIVE ATTESTATION OF CONFORMITY

Technical file of the company mentioned below has been inspected and audit has been completed successfully.

2006/42/EC Machinery Directive Annex VIII has been taken as reference for these processes.

Company Name: SHANDONG CAD INDUSTRY MACHINERY EQUIPMENT CO. LTD

Company Address: No. 69, Xujiahu Street, Taihan District, Tai'an City, Shandong, China

Related Directives and Annex: 2006/42/EC Machinery Directive/Annex VIII

Related Standards: EN ISO 12100:2010; EN 60204-1:2018

Product Name: Lifting Machine

Report No and Date: TCR042076-MD

Product Brand/Model/Type: T3.5, T5

Certificate Number: M.2023.296.CM3492

Initial Assessment Date: 12.04.2023

Registration Date: 13.04.2023

Review Date: -

Expiry Date: 13.04.2028

UDEM International Certification and Trade Int. Co., Ltd.

MACHINERY DIRECTIVE ATTESTATION OF CONFORMITY

Technical file of the company mentioned below has been inspected and audit has been completed successfully.

2006/42/EC Machinery Directive Annex VIII has been taken as reference for these processes.

Company Name: SHANDONG CAD INDUSTRY MACHINERY EQUIPMENT CO. LTD

Company Address: No. 69, Xujiahu Street, Taihan District, Tai'an City, Shandong, China

Related Directives and Annex: 2006/42/EC Machinery Directive/Annex VIII

Related Standards: EN ISO 12100:2010; EN 60204-1:2018

Product Name: Container Silo

Report No and Date: TCR042076-MD

Product Brand/Model/Type: S1020D1, S1040D1, S1043K10, S1045K10

Certificate Number: M.2023.296.CM3492

Initial Assessment Date: 12.04.2023

Registration Date: 13.04.2023

Review Date: -

Expiry Date: 13.04.2028

UDEM International Certification and Trade Int. Co., Ltd.

MACHINERY DIRECTIVE ATTESTATION OF CONFORMITY

Technical file of the company mentioned below has been inspected and audit has been completed successfully.

2006/42/EC Machinery Directive Annex VIII has been taken as reference for these processes.

Company Name: SHANDONG CAD INDUSTRY MACHINERY EQUIPMENT CO. LTD

Company Address: No. 69, Xujiahu Street, Taihan District, Tai'an City, Shandong, China

Related Directives and Annex: 2006/42/EC Machinery Directive/Annex VIII

Related Standards: EN ISO 12100:2010; EN 60204-1:2018

Product Name: Blower Fan

Report No and Date: TCR042076-MD

Product Brand/Model/Type: SDCADY / Fan100, Fan130, Fan140, Fan160, Fan180, Fan190

Certificate Number: M.2023.296.CM3493

Initial Assessment Date: 12.04.2023

Registration Date: 13.04.2023

Review Date: -

Expiry Date: 13.04.2028

UDEM International Certification and Trade Int. Co., Ltd.

ISO Certificate of Health Environment Quality

Quality Management System Certification

Certificate No.2320R069M1436

SHANDONG CAD INDUSTRY MACHINERY EQUIPMENT CO. LTD

Unified social credit code:91370900MA3P9AGJ9B

The established quality management system conforms to: GB/T 19001-2016 /ISO 9001:2015

Scope of certification / registration: Storage silo, including all container silo, liquid tank, insulation / heating tank, dry powder silo, etc. Customization storage silo is acceptable. Conveying machine, including screw conveyor, pneumatic conveying system, vertical elevator, belt conveyor, chain conveyor, conveying pump, conveying valve, and other related machines on the conveying system. Mixer, mixing plant, Liquid, slurry and powder mixing plant.

Registered address: No. 69, Xujiahu Street, Taihan District, Tai'an City, Shandong, China

Business address: No. 69, Xujiahu Street, Taihan District, Tai'an City, Shandong, China

Date of issue: October 8, 2022 Valid until: October 7, 2025

Occupational Health and Safety Management System Certification

Certificate Number: 2320R069M1431

SHANDONG CAD INDUSTRY MACHINERY EQUIPMENT CO. LTD

Unified social credit code:91370900MA3P9AGJ9B

The established occupational health and safety management system conforms to: GB/T 45001-2020/ISO 45001:2018

Scope of certification / registration: Storage silo, including all container silo, liquid tank, insulation / heating tank, dry powder silo, etc. Customization storage silo is acceptable. Conveying machine, including screw conveyor, pneumatic conveying system, vertical elevator, belt conveyor, chain conveyor, conveying pump, conveying valve, and other related machines on the conveying system. Mixer, mixing plant, Liquid, slurry and powder mixing plant.

Registered address: No. 69, Xujiahu Street, Taihan District, Tai'an City, Shandong, China

Business address: No. 69, Xujiahu Street, Taihan District, Tai'an City, Shandong, China

Date of issue: October 8, 2022 Valid until: October 7, 2025

Environmental Management System Certification

Certificate Number: 2320R069M1445

SHANDONG CAD INDUSTRY MACHINERY EQUIPMENT CO. LTD

Unified social credit code:91370900MA3P9AGJ9B

The established environmental management system is in line with: GB/T 24001-2016 /ISO 14001:2015

Scope of certification / registration: Storage silo, including all container silo, liquid tank, insulation / heating tank, dry powder silo, etc. Customization storage silo is acceptable. Conveying machine, including screw conveyor, pneumatic conveying system, vertical elevator, belt conveyor, chain conveyor, conveying pump, conveying valve, and other related machines on the conveying system. Mixer, mixing plant, Liquid, slurry and powder mixing plant.

Registered address: No. 69, Xujiahu Street, Taihan District, Tai'an City, Shandong, China

Business address: No. 69, Xujiahu Street, Taihan District, Tai'an City, Shandong, China

Date of issue: October 8, 2022 Valid until: October 7, 2025

SHANDONG CAD INDUSTRY MACHINERY EQUIPMENT CO. LTD

Tel: 0086 0538 8281591 Phone: 0086 150 6674 2604 admin@sdcadi.com www.sdcadi.com